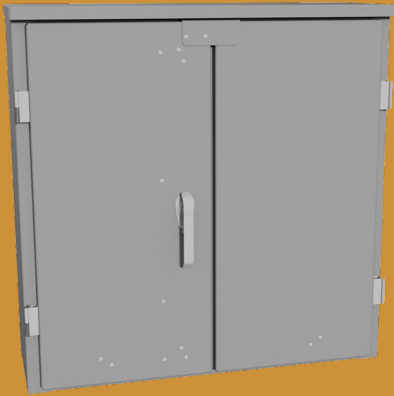


# UTILITY TRANSFORMER METERING CABINET

## 800 AMP, 600VAC, TYPE 3R

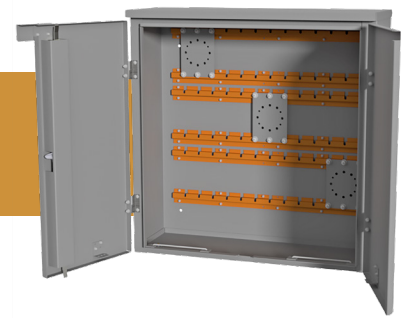
### APPLICATION

Lake Shore Electric's Duke Energy approved utility transformer metering cabinet provides Type 3R protection and includes a factory installed rail and mounting system per utility specification for 800 amp metering equipment.



#### Industry Standard:

UL 414 Listed; Type 3R  
File No. E240038



### FEATURES

- Overlapping double-door with 3-point latch and stainless steel lift-off hinges
- Stainless steel handle with padlock provisions
- Door stop
- (3) Utility specified CT mounting plates with (16) ea: square head bolts, washers, and nuts
- Drip-shield top and seam-free sides and back
- No gasketing or knockouts
- Ground lug provided, 2-14 AWG, single conductor

### PRODUCT SPECIFICATION

Utility Co.	Installation	Electrical Specifications	Dimensions (H x W x D)	Lb	Lug Size
Duke Energy	Wall Mount	800 Amp, 600V	40 x 40 x 14	100	N/A

### UTMC MODEL CODES

Model	Finish	Enclosure Material
UTMC-HD-404014-USN-3A-DUK-00	Gray Polyester Powder Coat; G90 Equivalent Protection	Hot Rolled Steel
UTMC-HD-404014-USN-3B-DUK-00	Mill Finish	Aluminum
UTMC-HD-404014-USN-3C-DUK-00	#4 Brushed Finish	304 Stainless Steel
UTMC-HD-404014-USN-3D-DUK-00	#4 Brushed Finish	316 Stainless Steel

### LEG KITS

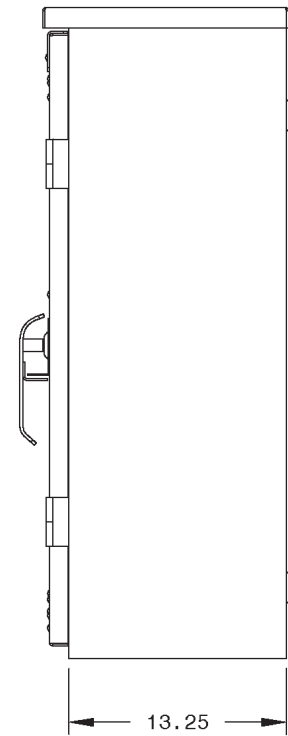
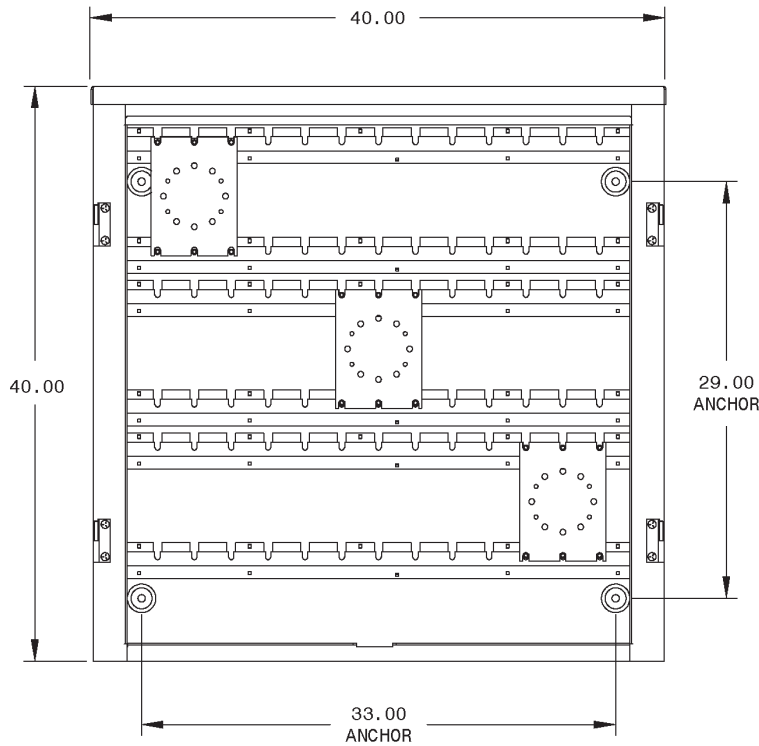
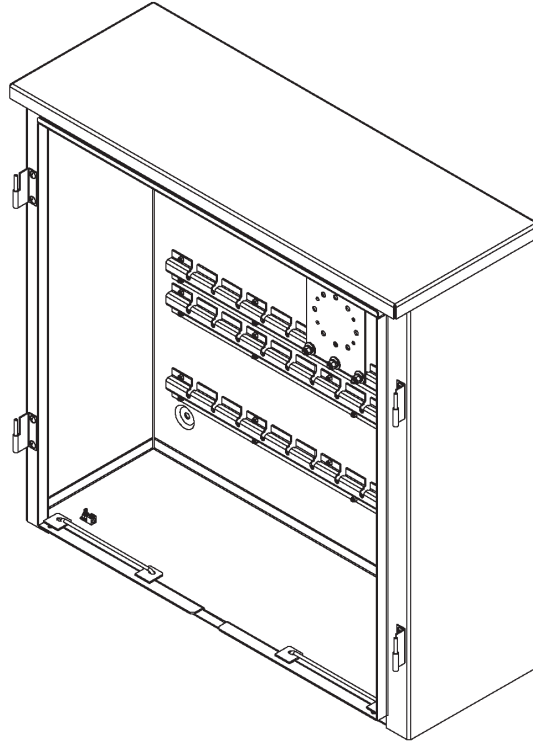
Model	Finish	Leg Kit Material
UTMC-LK-404014-3A	Gray Polyester Powder Coat; G90 Equivalent Protection	Hot Rolled Steel
UTMC-LK-404014-3C	#4 Brushed Finish	304 Stainless Steel
UTMC-LK-404014-3D	#4 Brushed Finish	316 Stainless Steel

[lseenclosure.com/utmc](http://lseenclosure.com/utmc)



# UTILITY TRANSFORMER METERING CABINET

800 AMP, 600VAC, TYPE 3R



[lseenclosure.com/utmc](http://lseenclosure.com/utmc)