

## UTILITY TRANSFORMER METERING CABINET

### 34x32x10 ENCLOSURE, 600VAC, TYPE 3R

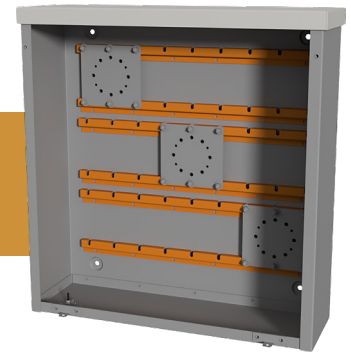
#### APPLICATION

Lake Shore Electric's Florida Power & Light approved utility transformer metering cabinet provides Type 3R protection and includes a factory installed rail and mounting system per utility specification.



#### Industry Standard:

UL 414 Listed; Type 3R  
File No. E240038



#### FEATURES

- Removable cover with stainless steel handle
- Cover secured with (4) 1/4-20 Torx head fasteners
- (2) Stainless steel padlockable tabs with (1) 5/16" hole, and (1) 1/8" utility seal hole
- (3) Utility specified CT mounting plates with (16) ea: square head bolts, washers, and nuts
- Drip-shield top and seam-free sides and back
- No gasketing or knockouts
- Ground lug provided, 2-14 AWG, single conductor

#### PRODUCT SPECIFICATION

Utility Co.	Installation	Electrical Specifications	Dimensions (H x W x D)	Lb	Lug Size
Florida Power & Light	Wall Mount	N/A	34 x 32 x 10	145	N/A

#### UTMC MODEL CODES

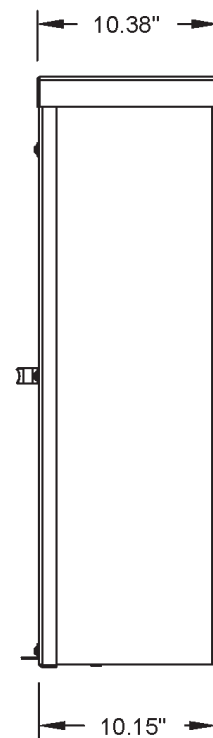
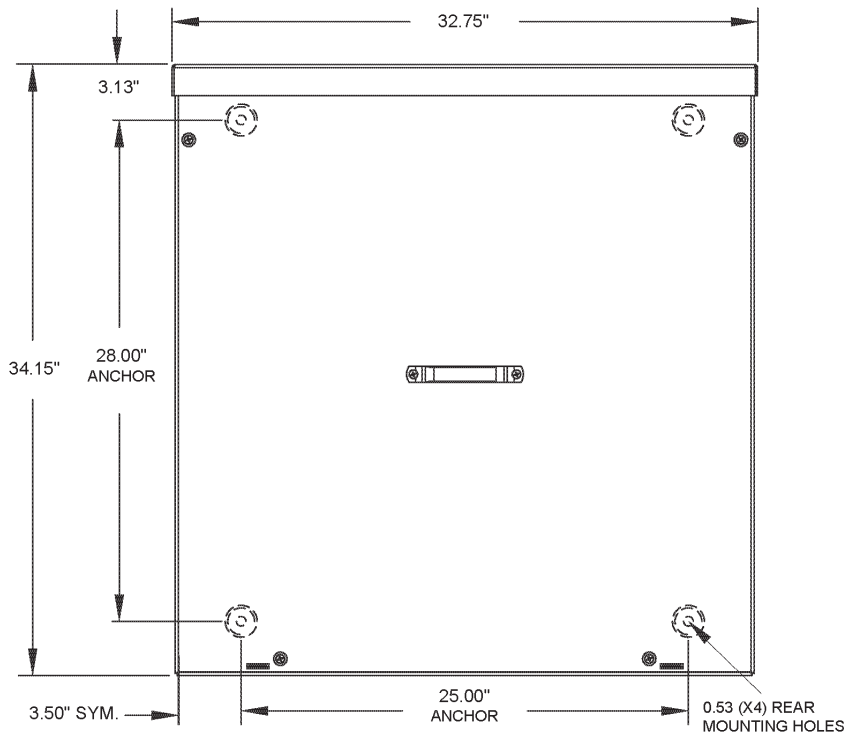
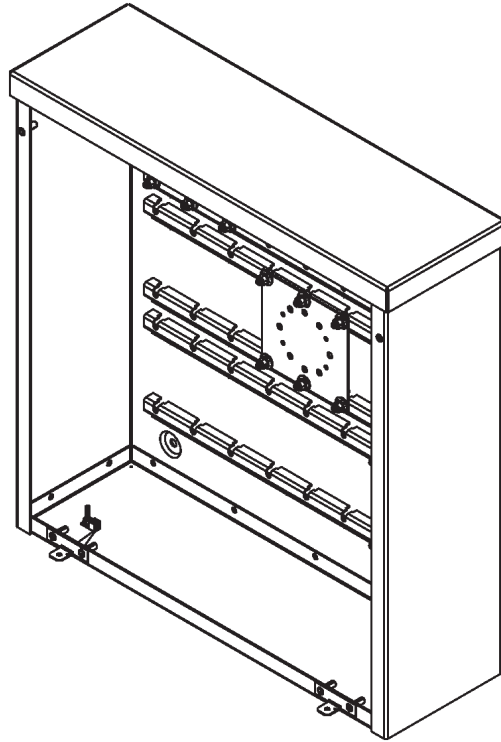
Model	Finish	Enclosure Material
UTMC-RC-343210-USN-3A-FPL-00	Gray Polyester Powder Coat; G90 Equivalent Protection	Hot Rolled Steel
UTMC-RC-343210-USN-3B-FPL-00	Mill Finish	Aluminum
UTMC-RC-343210-USN-3C-FPL-00	#4 Brushed Finish	304 Stainless Steel
UTMC-RC-343210-USN-3D-FPL-00	#4 Brushed Finish	316 Stainless Steel

#### LEG KITS

Model	Finish	Leg Kit Material
UTMC-LK-343210-3A	Gray Polyester Powder Coat; G90 Equivalent Protection	Hot Rolled Steel
UTMC-LK-343210-3C	#4 Brushed Finish	304 Stainless Steel
UTMC-LK-343210-3D	#4 Brushed Finish	316 Stainless Steel

[lseenclosure.com/utmc](http://lseenclosure.com/utmc)

**UTILITY TRANSFORMER METERING CABINET**  
34x32x10 ENCLOSURE, 600VAC, TYPE 3R



[lseenclosure.com/utmc](http://lseenclosure.com/utmc)